

# Video Extender Rack Mount Kit

## VE-RMK2U

### User Instructions

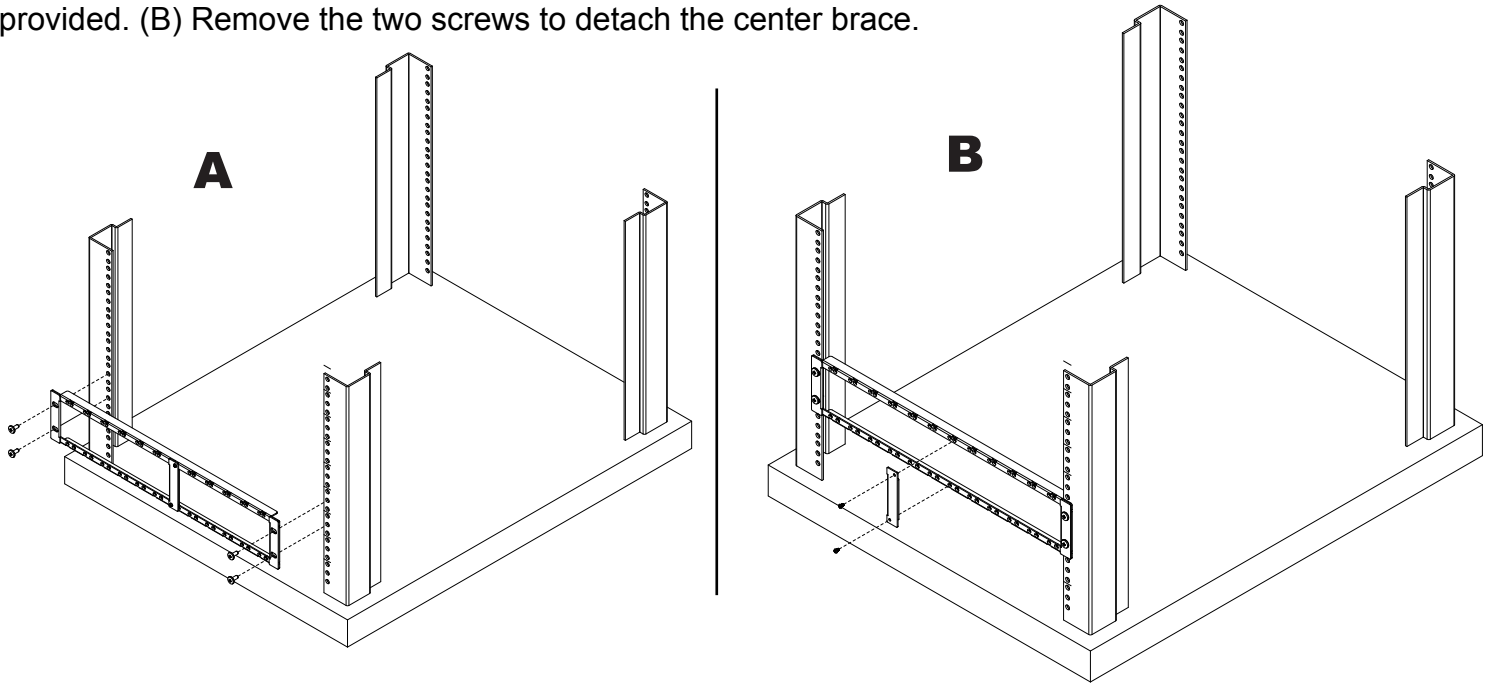
The VE-RMK2U kit provides a mounting frame and accessories to install 12 ATEN Video Extenders in 2U of rack space. Compatible with ATEN models VE800A, VE803, VE810, VE600A, VE602A, VE560, and CE100.

#### Package Contents:

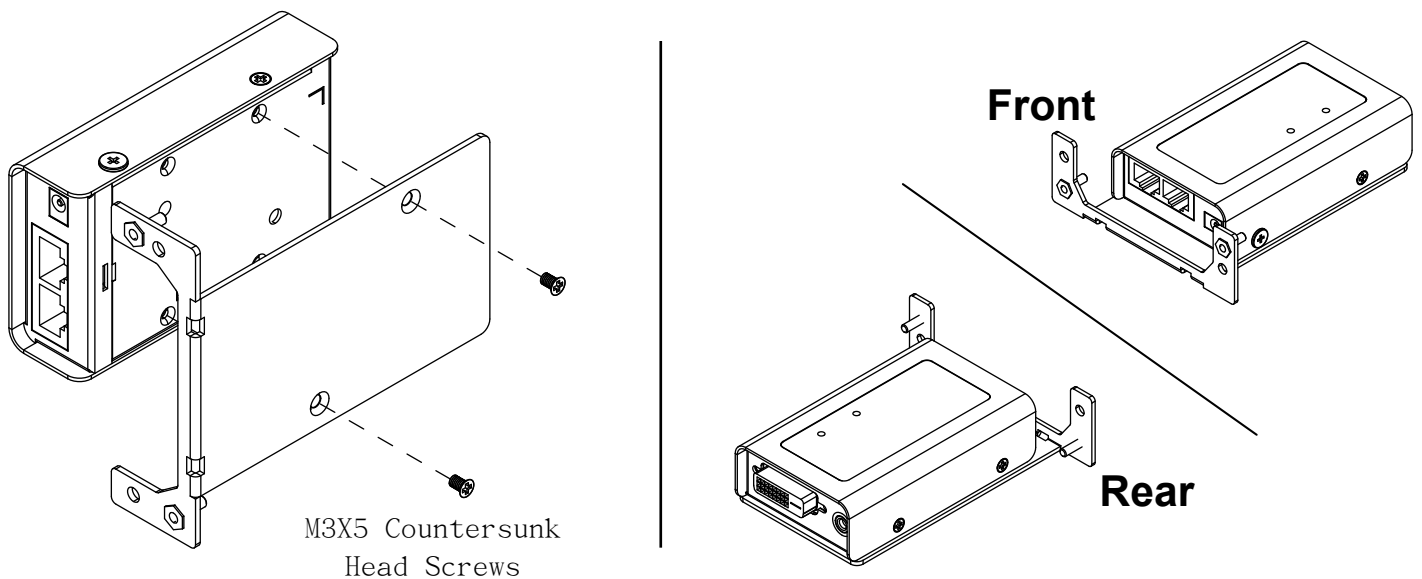
- 1 x VE-RMK2U Frame
- 12 x 2U Mounting Plates
- 26 x Plastic Captive Screws
- 36 x Countersunk Head Screws

### Installation:

1. (A) Position the VE-RMK2U Frame on the front of the rack and align the holes in the mounting brackets with the holes in the rack, then screw the mounting brackets to the rack. Rack screws are not provided. (B) Remove the two screws to detach the center brace.



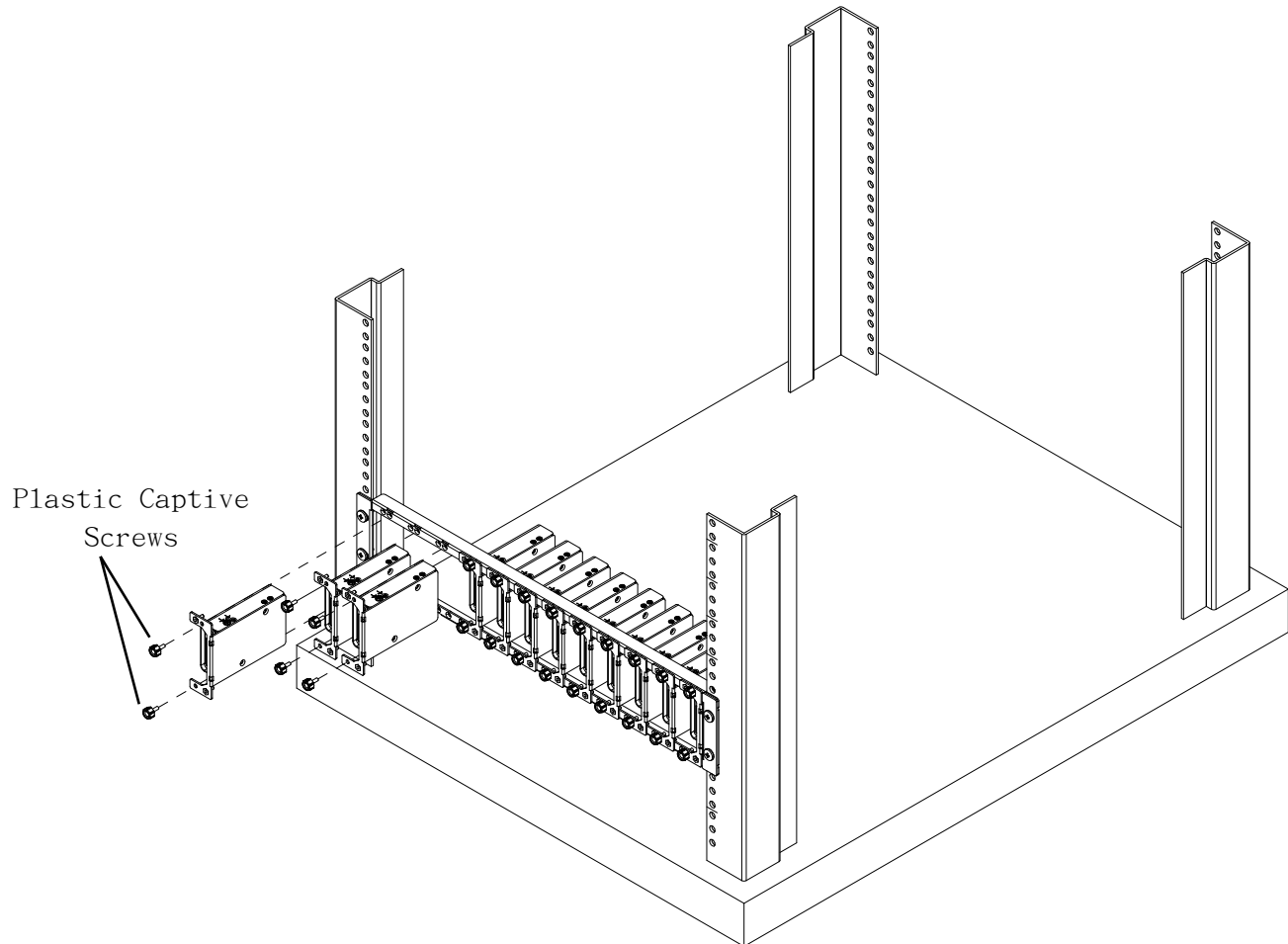
2. Place the video extender on the 2U Mounting Plate and align the holes, then screw the video extender to the mounting plate.



# Video Extender Rack Mount Kit VE-RMK2U

## User Instructions

5. Slide a 2U Mounting Plate with video extender attached onto a slot in the VE-RMK2U Frame, aligning the screw holes and fitting the notches. Secure the mounting plate to the frame with two Plastic Captive Screws. Repeat the process with each video extender you are installing.



4. A complete installation with 12 ATEN video extenders will look like the image below.

